

Compact disc harrows up to  
6 metres wide  
TERRADISC

 **PÖTTINGER**

# For the best soil movement



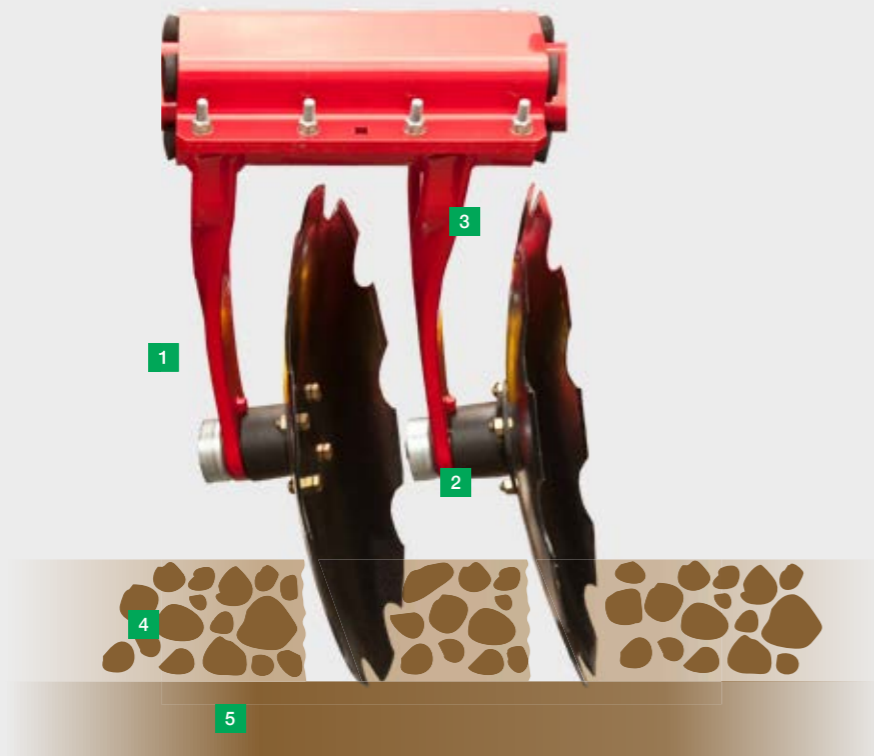


The TERRADISC compact disc harrow is designed specifically for stubble cultivation and seedbed preparation. Thanks to the compact design and aggressive disc angle, reliable penetration and excellent mixing in of harvest residues is ensured.

## Table of contents

<b>TERRADISC disc harrows</b>	<b>4 – 9</b>
Perfect penetration – TWIN ARM system	4 – 5
To withstand high stress – high quality engineering	6 – 7
Very convenient – setting up made easy	8 – 9
<b>Rigid-framed compact disc harrows</b>	<b>10 – 15</b>
Working width up to 4 m – TERRADISC 3001 / 3501 / 4001	10 – 13
Working width up to 4 m – TERRADISC MULTILINE	14 – 15
<b>Folding compact disc harrows</b>	<b>16 – 19</b>
Working width up to 6 m – TERRADISC 4001 K / 5001 K / 6001 K	18 – 19
<b>Trailed, folding compact disc harrows</b>	<b>20 – 25</b>
Working width up to 6 m – TERRADISC 4001 T / 5001 T / 6001 T	22 – 25
<b>Accessories / Technical data</b>	
TEGOSEM cover crop sowing unit	26 – 29
Rear rollers	30 – 33
Accessories	34 – 35
Technical data	36 – 37
PÖTPRO / ORIGINAL PARTS	38 – 39

All information on technical data, dimensions, weights, output, etc. and the images shown, are approximate and are not binding. The machines shown do not feature country-specific equipment and may include equipment that is not supplied as standard, or is not available in all regions. Your PÖTTINGER dealership would be pleased to provide you with more information.



- 1 Perfect entry thanks to aggressive disc angle
- 2 Blockage-free operation thanks to large clearances
- 3 Extended service life with tempered and forged parts
- 4 Worked soil – uniform and level finish following consistent movement
- 5 Unworked soil



## The best soil movement

A uniform level finish with the best mixing performance meets farmer's and contractor's expectations in the field. To achieve this, PÖTTINGER has optimised the geometry, size, plus both mounting angle and penetration angle of the discs. The result: low draft, perfect penetration, the best tilth and mixing effect, even in dry soil. The high tare weight of the TERRADISC also ensures the dependable performance of this disc harrow.

## TWIN ARM

Two solid forged carrier arms are welded to every wide clamping bracket. This ensures that the discs always retain their position and angle. Even in heavy, dry soil it is impossible for them to deviate to the side – hard wheel marks are broken up consistently.

## Clever tillage tools

The rugged scalloped discs made of special heat-treated steel have a diameter of 580 mm. Eight discs per metre of working width equate to a spacing of just 12.5 cm. The optimised interplay of ground penetration angle and mounting angle ensure perfect performance. The offset configuration of the aggressive discs mixes harvest residues effectively into the soil.

## For and extended service life

The strong rugged discs made of special heat-treated steel have an optimum diameter. The disc diameter of 580 mm and material thickness of 5 mm ensure a long service life. You benefit from extended replacement intervals as a result.

## Generous inter-disc clearance

Ideal cultivating results are achieved thanks to optimum spacing of the discs.

- Plenty of space between discs and carrier arms.
- The carrier arms are angled facing the direction of rotation so that the risk of stones or harvest trash becoming lodged between the disc and arm is greatly reduced.
- A large clearance between the disc and clamping bracket means large quantities of organic matter can easily pass through.



### Maximum uptime and durability

Fast operating speeds and working depths down to 15 cm mean the disc bearings have to withstand considerable stress. That is why PÖTTINGER has implemented high-quality bearings for an extended service life. This guarantees you trouble-free work even in the most difficult operating conditions.

### Tough and reliable

The special twin-race taper bearings have been adopted from the construction machinery industry. Ruggedness and reliability are guaranteed as a result whilst impacts are absorbed effortlessly.

- The sealed, twin-race taper bearings are completely maintenance-free.
- A labyrinth seal provides the best protection for the bearing.
- A metal cover encapsulates the labyrinth seal for additional protection.
- The bearings are fitted to the disc carrier arm by a stub axle.
- The nuts are protected by caps mounted on the same stub shaft.

### NONSTOP protection against stones

40 mm thick rubber elements have provided proven, maintenance-free NONSTOP trip leg action for many years. The clamping brackets are mounted on a thick-walled box section frame. Four rubber elements between each wide clamping bracket and the box section provide the discs with high penetration power.

### Adjustable outer discs

On the left and right the outermost concave discs are depth adjustable. This means you achieve perfect merging of passes.



### Convenient operation

The rear rollers assume the role of depth control for the disc harrow. Working depth is adjusted hydraulically and quickly without risk to the operator. The weight of the roller is transferred to the disc harrow during operation. Thus ensuring reliable penetration on dry and hard ground.

### Convenient adjustment

Setting up for different soil conditions must be quick and straightforward. On the TERRADISC compact disc harrow that's conveniently solved with hydraulic depth adjustment.

- Folding 5 mm-thick swing clips are used to fine-tune depth control.
- The levelling tines are adjusted in unison with the roller mounting arms.
- No complicated manual intervention required – convenience that every tractor driver deserves.

### Road transport - for rigid compact disc harrows

The outer disc pairs are folded upwards hydraulically for transport on the road. The edging board is simply pushed inwards for transport widths of 3.0 m, 3.50 m and 4.0 m.

- The TERRADISC 3501 can be transported on the road unaccompanied in situations where laws permit a width of 11.84' / 3.50 m.
- That offers up to 17 % higher output compared to a 9.84' / 3.0 m implement.

### Levelling harrow

The optional spring steel levelling tines deflect the flow of soil to the rear roller, crumbling and levelling the ejected mixture of trash and soil. The height of the levelling tines, which are 14 mm thick and feature tangential geometry, is adjusted when the position of the rear roller is changed.

- The main height and angle settings are preset using a lock pin.
- The position of the levelling tines changes in accordance with the working depth. The deeper the setting the easier the flow of material to the rear.

### Edging boards as standard

For a uniform surface finish, adjustable edging boards are provided on both sides as standard equipment. This ensures a neat interface between passes.



### Rigid-framed compact disc harrows

The short construction is a key feature of PÖTTINGER compact disc harrows. With TERRADISC models 3001 / 3501 / 4001, you have a choice of working depths between 5 and 15 cm. The offset configuration of the aggressively set discs mixes the harvest residues effectively into the soil. They deliver optimum processing of your soil.

## Rigid-framed compact disc harrows

Working width up to 4 m

TERRADISC 3001 / 3501 / 4001



### Adjustable headstock

Tractors with up to 190 hp have a huge range of hitch geometries. The range of mounting options offered by the headstock ensures excellent ground penetration and sufficient transport height.

Our rigid compact disc harrows feature three mounting heights with clevis type lower linkage mountings. The headstock angle can be adjusted and with three top linkage positions. As a result optimum adaptation to any tractor is guaranteed.

### Heavy duty frame

The compact frame is a trademark of the mounted TERRADISC harrow. Unique open frame design provides a perfect view of both disc gangs from the driver's seat.

- The first gang of discs is very close to the tractor for a very favourable centre of gravity.
- Compact, short design guarantees smooth and stable operation of the implement.

## Expanding the range of applications Working width up to 4 m



### TERRADISC MULTILINE

The TERRADISC MULTILINE is a cost/efficient alternative for seed drill with 3 an 4 m working width. It is a trailed soil preparation implement. This means that the load acting on the rear axle of the tractor is minimised. At headlands and during transport, the unit is lifted on the tyre packer. This ensures smooth running, high ground clearance and a low soil compaction at headlands.

#### Reliable and blockage-free operation

The scrapers on the rear packer tyres ensure tidy, blockage-free operation of the packer. The scrapers are raised automatically when the machine is lifted.

- The scraper beam is spring-loaded and adjustable in 5 positions.
- The springs also serve as overload protection in stony soils.
- No problems when driving backwards.
- It is also possible to operate with the scrapers raised.

#### Optional air or hydraulic brakes

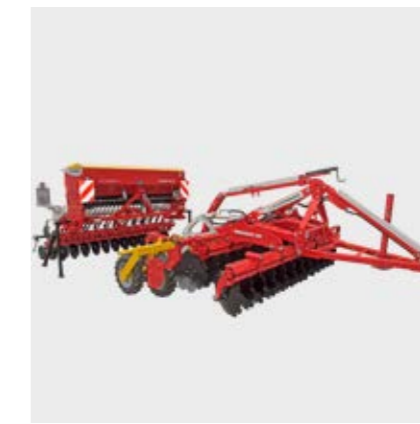
- All wheels are braked.
- Enhanced safety during road transport also with a mounted seed drill.
- Good road handling.

## TERRADISC 3001 / 4001 with MULTILINE



### From stubble cultivation to mulch drilling

Within just a few minutes, the trailed disc harrow becomes an efficient, fully-functional mulch seed drill. The MULTILINE concept offers arable farmers a wide range of combination possibilities, meeting the demands of the market.



### Working cost-effectively

Moreover, trailed TERRADISC models can also be used on their own for seedbed preparation or stubble cultivation. This allows high output to be achieved with smaller tractors.

#### Flexible all-rounder

The VITASEM ADD or AEROSEM ADD seed drill is mounted on the packer. This allows the seed drill to be fitted or removed easily - depending on whether the disc harrow is to be used on its own or not. As a result, the MULTILINE combination is a real multi-talent with a wide range of applications.



### The new tyre packer

At the headland and during transport, the TERRADISC MULTILINE is lifted by the offset tyre packer so the weight is distributed over the whole working width. The tyre packer ensures excellent handling on the road.

#### Offset tyre packer

Thanks to the offset wheel configuration, smooth operation in the field is guaranteed. Offset wheels need less pulling power because the packer tyres do not form a ridge.

- Despite an offset of 500 mm, all the wheels are always on the ground.
- Large area of contact prevents harmful compaction.





### Folding compact disc harrows

TERRADISC K – the mounted, folding compact disc harrow with a working width of 4 to 6 metres and increased manoeuvrability. TERRADISC models 4001 K / 5001 K / 6001 K offer you a choice of working widths between 4 and 6 metres. The large folding disc harrows have been developed for high output stubble cultivation and general seedbed preparation.

## Folding compact disc harrows Working width up to 6 m



## TERRADISC 4001 K / 5001 K / 6001 K



### Folding compact disc harrows for hitch-mounting

TERRADISC mounted disc harrows feature a compact frame.  
Three lower linkage heights with Cat. II/2 and Cat. III/3 clevis type mountings are standard.  
The three top linkage positions give optimum adjustment to fit all tractors.

### Convenient operation

Working depth is quickly pre-set hydraulically without risk to the operator. Depth adjustment of the rear rollers and levelling tines is fine-tuned using swing clips on the hydraulic cylinders.  
Access to the swing clips is easy and safe on both sides. The weight of the rear rollers is transferred to the disc harrow for reliable soil penetration.

### Road Transport

Hydraulic folding enables convenient and trouble-free road transport at a width of 2.80 m. The disc harrows are folded in two halves to achieve a low transport height.  
The automatic transport interlocks are operated by hydraulically actuated lock pins.



### Trailed, folding compact disc harrows

The TERRADISC T models with a working width of 4 to 6 m are transported on a dedicated chassis. This protects the hitch on your tractor and reduces compaction at the headland.

On the road the machine is supported by the transport chassis. In the working position at the headland the machine runs on the rear roller. This takes the pressure off the tractor hitch and also reduces soil compaction.

Trailed, folding compact disc harrows  
Working width up to 6 m

TERRADISC 4001 T / 5001 T / 6001 T



### Compact disc harrows with a working width of 6 m

Our trailed TERRADISC 4001 T / 5001 T / 6001 T compact disc harrows have a working width of 4 to 6 m and increased manoeuvrability thanks to lower linkage mounting.

All TERRADISC T models are transported using a dedicated chassis. TERRADISC trailed disc harrows feature a compact frame.

### Model overview

	<b>Working width</b>	<b>Discs</b>	<b>Disc diameter</b>	<b>Power requirement from</b>
TERRADISC 4001 T	4.0 m	32	580 mm	100 kW / 135 hp
TERRADISC 5001 T	5.0 m	40	580 mm	114 kW / 150 PS
TERRADISC 6001 T	6.0 m	48	580 mm	132 kW / 180 hp

## Trailed, folding compact disc harrows working width up to 6 m

## TERRADISC 4001 T / 5001 T / 6001 T



### Practical drawbar

The drawbar is connected to the lower linkage and top link lugs. Optimum ground clearance at headlands and during transport can be adjusted precisely to each tractor thanks to a choice of top link positions. A drawbar and transport chassis can also be retro-fitted to TERRADISC K models for even greater flexibility.

- The linkage yoke is hooked up to the lower arms using clevis type mountings.
- A telescopic drawbar is also available. This enables a steering angle of 95° up to a tractor-overall width of 4.20 m.
- A ring hitch is also offered as an option.

### Front board

A front board is available as an option to level the soil in front of the discs. Even large clods are broken up by this heavy-duty tool. Reliable through clearance is provided for larger levels of harvest residues. A level soil surface is guaranteed as a result.

### Rugged transport chassis

The wheel chassis is mounted directly to the main frame and linked to the headstock. The wide chassis with 500/45-17 tyres travels smoothly on the road.

Air brakes or hydraulic brakes are offered as additional equipment options. These systems enhance safety at maximum permissible speeds and together with the parking brake comply with all road safety legislation.

The transport chassis ensures that the weight acting on the hitch and rear axle of the tractor is minimised. During operation the wheel chassis is folded far forwards in front of the rear roller. Trailed models also feature hydraulic accumulators for smooth operation in the field.

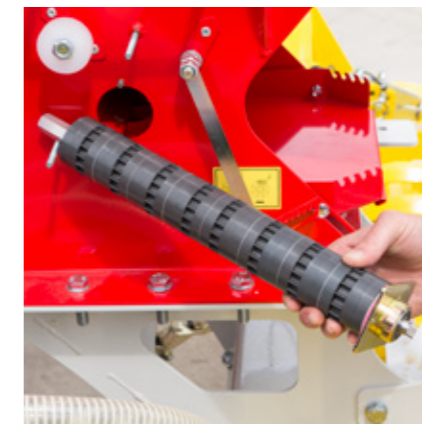
At the headland the TERRADISC T is raised onto the rear roller and its weight distributed across the whole working width.

### Tandem CONOROLL roller

The tandem CONOROLL consists of two rollers with bar thickness of 8 mm. The diameter of the rings is 560 mm. Ideally suited to trailed TERRADISC machines.

The rollers overlap each other and each has a footprint equal to 50 % of the working width. This is especially well suited to light soil.

- The inclination of the roller can be quickly adjusted using a lock pin to allow for the working depth and operating conditions.
- No scrapers required; rollers self-clean effectively.
- Raised on rear roller at headlands, so there are no problems reversing the machine.
- Side-mounted edging boards that can pivot guarantee smooth operation in harvest residues and stony areas



## Precision sowing

The seed material is distributed evenly with the TEGOSEM. The metering system is driven electrically. Two different metering shafts are provided as standard to ensure precision distribution for fine or coarse metering, even at low seed flow rates. Eight outlets handle seed distribution.

## Calibration

Calibration is easy: the calibration procedure is started at the press of a button. A calibration bag is provided as standard equipment. A logical guide makes each calibration step easy to follow.

## Metering start/stop

A sensor on the top link detects when to start and stop metering. On trailed machines, this is detected using a load cell on the drawbar.

## Seed distribution

The seed material is distributed pneumatically using distribution plates. This guarantees pinpoint precision regardless of the wind conditions. The distributor plates are adjusted by changing the shaft angle.

## Helps you save time

The TEGOSEM cover crop sowing unit combines soil cultivation and sowing a catch crop in a single pass to save time and costs. The TEGOSEM can be combined with PÖTTINGER TERRADISC disc harrows as well as with SYNKRO stubble cultivators. This seed drill can be used together with three-point mounted implements and trailed machines.

The TEGOSEM can be combined with TERRADISC disc harrows:

	For machine type	Tractor mounting	Fan drive system	Tank location	Tank capacity (litres)	Weight
TEGOSEM 200	TERRADISC 3001 TERRADISC 3501 TERRADISC 4001	Rigid 3-point	Electric fan motor	Rear rollers	200	125 kg
TEGOSEM 200	TERRADISC 4001	Folding 3-point	Electric fan motor	central holder	200	125 kg
TEGOSEM 200	TERRADISC 5001 TERRADISC 6001	Folding 3-point	Hydraulic fan drive	central holder	200	135 kg
TEGOSEM 500	TERRADISC 4001 TERRADISC 5001 TERRADISC 6001	Folding trailed	Hydraulic fan drive	Drawbar	500	240 kg



## Standard equipment and controls

The TEGOSEM is operated from the driver's seat using a convenient control terminal.

## Functions

- Metering shaft control & monitoring, Output rate electronically adjustable
- Display in kg/ha
- Priming function
- Headland management
- Automatic calibration
- Total hectare counter and daily hectare counter
- Calibration button -calibration at the press of a button
- Emptying function to drain seed hopper
- Filling level sensor
- Pressure gauge on hydraulically driven fans for trailed machines
- Sensors on top link or chassis for start/stop metering
- Safe access using platform



## DGPS sensor

- DGPS sensor for speed sensor
- One rough seed and one fine seed metering wheel are supplied with the drill as standard.



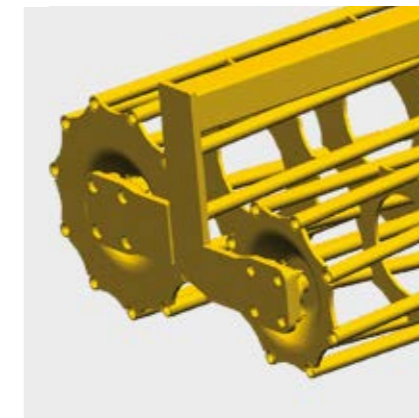
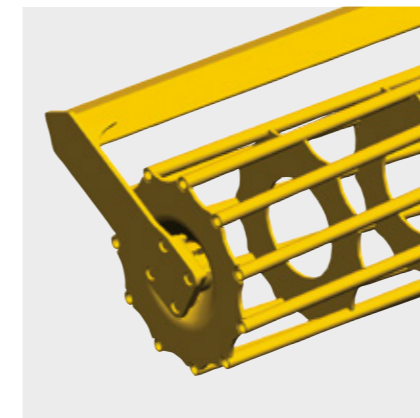
## Electric or hydraulic fan drive system

The fan is driven electrically up to a working width of 4.0 metres and hydraulically when wider than 5.0 metres. Trailed TERRADISCs (TEGOSEM 500) are only available with hydraulic fans.



### Wide range of rear rollers

It's your choice. PÖTTINGER offers a wide range of rear rollers for perfect results with the desired tilth in any type of soil. The whole range of rollers features precision manufacturing and robust design engineering.



Requirements	Cage roller	Double cage roller	Knife ring roller	Pack ring roller	ROTOPACK roller	Rubber packer roller	CONOROLL roller	TANDEM CONOROLL roller
Consolidation	o	o	+	++	-	++	+	++
Damp conditions	o	o	o	++	o	+	++	+
Dry conditions	++	++	++	++	+	++	++	++
Crumbling effect	+	++	++	++	++	++	++	++
Load capacity	+	++	+	++	+	++	w+	++
Self-propulsion	++	++	+	++	++	+	+	++
Suitability for stones	+	o	-	++	-	o	++	++
Scraper	no	no	yes	yes	no	yes	yes	no
Tare weight in kg for 3 m working width	325	520	420	595	400	560	430	685
Diameter in mm	540 / 660	540 / 420	540	550	545	590	540	560

- ++ highly suitable
- + very suitable
- o suitable
- not suitable

### Cage roller

The ideal roller for dealing with dry, non-sticky soils. The roller is fitted with strong bars for optimal consolidation.

diameter 540 mm, 11 bars. Diameter 660 mm, 12 bars.

### Double cage roller

The double cage roller is fitted with two different diameter rollers (540 mm front and 420 mm rear). The pendular function ensures optimum ground tracking and perfect tilth.

### Knife ring roller

The advantages of the knife ring roller with a diameter of 540 mm include enhanced tilth and consolidation by means of wedge-shaped rings.

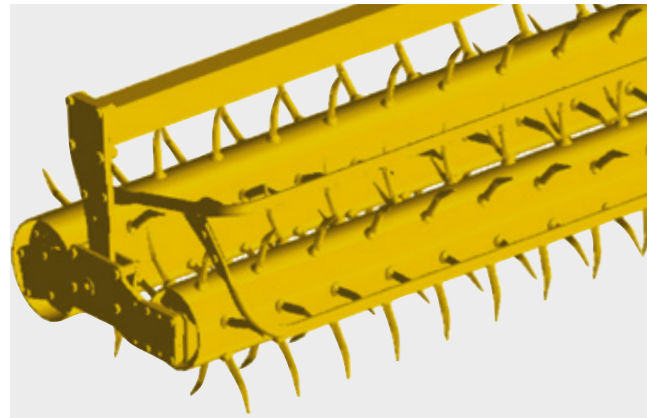
The knives between the rings break up clods and keep the rings clean. Consolidated ridges have the advantage that water can be absorbed better. The right choice if you are working on dry and heavy soil.





### Pack ring roller

The packer rings, which are enclosed, have a diameter of 550 mm. eight rings per metre of working width. The roller leaves behind consolidated ridges, promoting drainage and soil respiration. This is the ideal roller on stony, damp ground with large quantities of organic matter. The scrapers are coated for an extended working life.

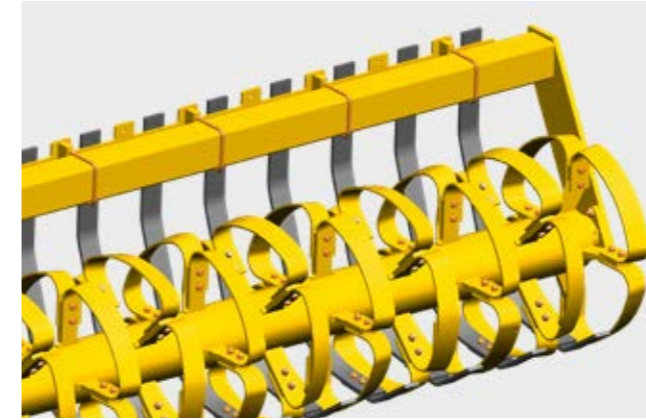


### Rotopack roller

Rotopack rollers mix particularly intensively – for light to heavy, non-sticky soils. Weeds are uprooted and brought up to the surface (only 3.0 m working width).

### Rubber packer roller

The perfect roller for widely varied soil conditions. Especially for use with trailed implements where the load-bearing capacity of other rollers is near the limit. A diameter of 590 mm and the special profiling allows the soil to be consolidated in ridges. The scrapers are coated for an extended working life.

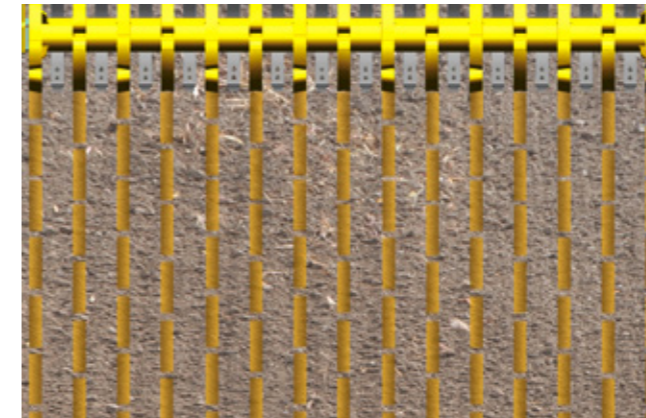


### CONOROLL roller

This roller consists of rings with a diameter of 540 mm. Each ring is made up of four conical segments that are offset to the left and right. The result is a slot with alternate indentations on either side. When rainwater seeps into these indentations, they prevent it from flowing away. Erosion caused by rainfall is minimised thanks to the optimum structure created on the soil surface. The loose soil between the rings ensures good drainage.

The gap between each ring is 15 cm. Spring-mounted scrapers are located in between. These promote the formation of a fine tilth while keeping the space between the rings clean.

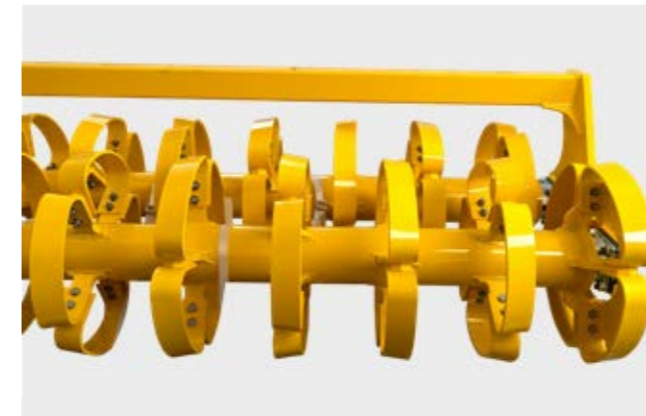
The load-bearing capacity of the CONOROLL is limited on very light soil. This is an ideal roller for medium to heavy soils. The side segments are covered. This guarantees trouble-free operation in harvest residues and stones.

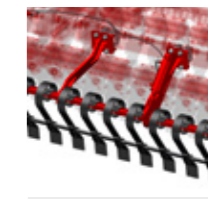


### Tandem CONOROLL roller

The tandem CONOROLL consists of 2 rollers. The diameter of the rings is 560 mm, strip thickness 8 mm. Ideally suited to trailed machines.

- With two rollers the TANDEM CONOROLL offers excellent load capacity. Consequently it is also suitable for light soils.
- The inclination of the roller can be adjusted to allow for the working depth and conditions.
- Rollers self-clean effectively, no scrapers required.
- Raised on rear roller at headlands, so there are no problems driving backwards.





	Levelling harrow	Rear harrow	Telescopic drawbar	Frontboard
TERRADISC	<input type="checkbox"/>	<input type="checkbox"/>	-	-
TERRADISC K	<input type="checkbox"/>	<input type="checkbox"/>	-	-
TERRADISC T	<input type="checkbox"/>	-	<input type="checkbox"/>	<input type="checkbox"/>



	Air brakes Hydraulic brakes	Warning signs and lighting
TERRADISC	-	<input type="checkbox"/>
TERRADISC K	-	<input type="checkbox"/>
TERRADISC T	<input type="checkbox"/>	■

### More equipment options

- Telescopic drawbar with Cat. IV lower linkage mounting - for trailed disc harrows up to 6 m
- Telescopic drawbar with Cat. III US coupling - for trailed disc harrows up to 6 m
- Telescopic drawbar with ring hitch – for trailed disc harrows up to 6 m
- Parallel lift drawbar with hydraulic cylinder (recommended when using ring hitch) - for trailed disc harrows up to 6 m
- TEGOSEM cover crop sowing unit for trailed disc harrows up to 6 m

■ = Standard, □ = Optional

TERRADISC	3001	3501	4001	4001 K	4001 T
Mounting	Cat. II / 2	Cat. II / 2	Cat. II / 2	Cat. III / 2	Cat. III / 2, Cat. III / 3
Working width*	3.0 m	3.50 m	4.0 m	4.0 m	4.0 m
Transport width	3.0 m	3.50 m	4.0 m	2.80 m	2.80 m
Discs	24	28	32	32	32
Disc diameter	58 cm	58 cm	58 cm	58 cm	58 cm
Disc spacing	12.5 cm	12.5 cm	12.5 cm	12.5 cm	12.5 cm
Disc bearings	maintenance-free	maintenance-free	maintenance-free	maintenance-free	maintenance-free
Inter gang spacing	90 cm	90 cm	90 cm	90 cm	90 cm
Frame height	75 cm	75 cm	75 cm	75 cm	75 cm
Power requirement from	70 kW / 95 hp	85 kW / 115 hp	100 kW / 135 hp	100 kW / 135 hp	100 kW / 135 hp
Basic weight	1470 kg	1660 kg	1910 kg	2535 kg	3765 kg
Levelling harrow	57 kg	84 kg	91 kg	91 kg	91 kg
Rear harrow	87 kg	95 kg	151 kg	151 kg	–
Cage roller 540 mm	325 kg	–	480 kg	480 kg	–
Cage roller 660 mm	425 kg	–	610 kg	610 kg	610 kg
Double cage roller	520 kg	–	760 kg	760 kg	760 kg
Knife ring roller	420 kg	470 kg	610 kg	610 kg	–
Pack ring roller	595 kg	710 kg	820 kg	820 kg	820 kg
CONOROLL	430 kg	510 kg	620 kg	620 kg	–
Tandem CONOROLL	685 kg	–	950 kg	950 kg	950 kg
Rubber packer roller	560 kg	–	–	–	–
Rotopack roller	400 kg	–	–	–	–

5001 K	5001 T	6001 K	6001 T
Cat. III / 2, Cat. III / 3	Cat. III / 2, Cat. III / 3	Cat. III / 2, Cat. III / 3	Cat. III / 2, Cat. III / 3
5.0 m	5.0 m	6.0 m	6.0 m
2.80 m	2.80 m	2.80 m	2.80 m
40	40	48	48
58 cm	58 cm	58 cm	58 cm
12.5 cm	12.5 cm	12.5 cm	12.5 cm
maintenance-free	maintenance-free	maintenance-free	maintenance-free
90 cm	90 cm	90 cm	90 cm
75 cm	75 cm	75 cm	75 cm
125 kW / 170 hp	114 kW / 155 PS	140 kW / 190 hp	132 kW / 180 hp
2985 kg	4315 kg	3515 kg	4740 kg
108 kg	108 kg	115 kg	115 kg
167 kg	–	178 kg	–
619 kg	–	680 kg	–
766 kg	766 kg	850 kg	850 kg
880 kg	880 kg	1040 kg	1040 kg
720 kg	–	840 kg	–
1010 kg	1010 kg	1190 kg	1190 kg
740 kg	–	860 kg	–
1160 kg	1160 kg	1370 kg	1370 kg
1000 kg	1000 kg	1120 kg	1120 kg
–	–	–	–

\*Our TERRADISC models output their full working width in the field.



Scan the QR Code on the data plate of a PÖTTINGER machine or enter the machine number at [www.poettinger.at/poetpro](http://www.poettinger.at/poetpro).

Choose the information you need.

## PÖTPRO – Simple. Anytime. Anywhere.

### For all PÖTTINGER machines 1997 models onwards

PÖTPRO stands for PÖTtinger PROduct information for Pöttinger Professionals. We have created PÖTPRO as a tool to provide machine specific information for all machines from year of build 1997 onwards.

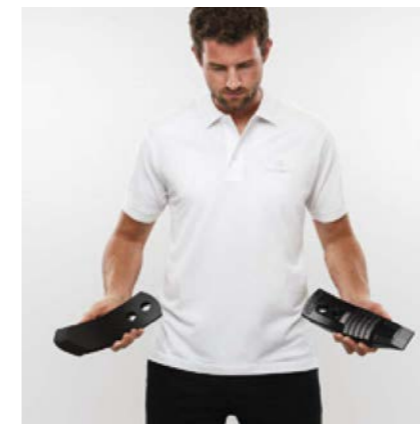
Simply scan the QR code on the data plate with your smartphone or tablet or enter your machine number at [www.poettinger.at/poetpro](http://www.poettinger.at/poetpro).

### Your machine goes online.

All the information on your machine.

You will immediately receive all the information on your machine.

- Instruction manual
- Optional equipment information
- Brochures
- Photos and videos.



CLASSIC  
DURASTAR  
DURASTAR **PLUS**

## Rely on the original

PÖTTINGER Original Parts meet the highest demands in terms of functionality, reliability and performance. These are characteristics that PÖTTINGER is committed to delivering.

That is why we manufacture PÖTTINGER Original Parts from the highest quality materials. We ideally match each individual spare part and wear part to your machinery's overall system. This is because different soil and operating conditions often need to be taken into consideration.

We have been listening to our customers and now offer three different lines - CLASSIC, DURASTAR and DURASTAR PLUS - to make sure you have the right part to meet every requirement. Original parts are worth every cent, because know-how cannot be copied.

## Your advantages

- Immediate and long-term availability.
- Maximum durability thanks to innovative production processes and the use of the highest quality materials.
- Avoidance of malfunctions due to a perfect fit.
- The best working results thanks to optimum match to the overall system of the machine.
- Save time and costs thanks to longer replacement intervals on wear parts.
- Comprehensive quality testing.
- Ongoing advancement through research and development.
- Worldwide spare parts supply.
- Attractive, competitive prices for all spare parts.

## Wear parts

The CLASSIC line is for standard duty applications. With these ORIGINAL INSIDE parts we have defined the benchmark for quality, best price/performance ratio and reliability.

DURASTAR is the innovation on the wear components market - durable, high quality, productive and reliable.

Are you used to putting your machines to work in the most extreme conditions? Then the DURASTAR PLUS line is the right choice for you.



## More Success with PÖTTINGER

- A family-owned company since 1871.  
Your reliable partner.
- Specialist for tillage, seed drills.  
Hay and harvesting machines.
- Future-safe innovation for outstanding working results.
- Roots in Austria - at home throughout the world.

## You can rely on our TERRADISC

- Thanks to the compact design and aggressive disc angle, reliable penetration and excellent mixing in of harvest residues is ensured.
- A uniform and level finish is achieved for both shallow as well as deep tillage.
- Trust in PÖTTINGER. Harvest success.

## Ask our sales partners for more information:

### **PÖTTINGER Landtechnik GmbH**

Industriegelände 1  
4710 Grieskirchen  
Austria  
Phone +43 7248 600-0  
info@poettinger.at  
www.poettinger.at

### **Alois PÖTTINGER UK Ltd.**

15 St Marks Road, Corby  
Northamptonshire,  
NN18 8AN  
United Kingdom  
Phone + 44 1536 272 220  
info@pottingeruk.co.uk  
www.pottingeruk.co.uk

### **POETTINGER Canada Inc.**

460 Rue Robinson Sud  
Granby, QC, J2G 7N6  
Canada  
Phone +1 450 372 5595  
Fax +1 866 417 1683  
info@poettinger.ca  
www.poettinger.ca

### **POETTINGER US, Inc.**

393 Pilot Drive  
Valparaiso, IN 46383  
USA  
Phone +1 219 510 5534  
Fax + 1 219 707 5412  
info@poettinger.us  
www.poettinger.us

### **PÖTTINGER Australia PTY LTD**

11 Efficient Drive  
Truganina VIC 3029  
Australia  
Phone +61 3 8353 2770  
info@poettinger.com.au  
www.poettinger.com.au

### **POETTINGER Ireland Ltd.**

Glenaleamy, Powerstown Road,  
Clonmel, Co. Tipperary  
Ireland  
Phone +353 52 6125766  
info@poettinger.ie  
www.poettinger.ie

### **Importer for New Zealand:**

**Origin Agroup**  
PO Box 673, 57 Hautapu Road  
Cambridge  
New Zealand  
Phone +64 7 823 7582  
info@originagroup.co.nz  
www.originagroup.co.nz

### **Importer for South Africa:**

**VALTRAC**  
Cnr. Water & Buiten Street  
9585 Parys  
South Africa  
Phone +27 56 817 7338 7308  
wynn@valtrac.co.za  
www.valtrac.co.za