

# 65TR



Concrete solutions. Always.

Engine V2607-CR-T

Engine power 45,0 kW - 61,2 HP

Operating weight 6.200 kg

 **EUROCOMACH**<sup>®</sup>

# 65TR

|                                       |      |                             |
|---------------------------------------|------|-----------------------------|
| Operating weight (with rubber tracks) | kg   | 6.200                       |
| Travelling speed (AUTO TWO SPEED)     | km/h | 1a : 0 ÷ 2,3 / 2a : 0 ÷ 4,5 |
| Slew speed                            | rpm  | 11                          |

## ENGINE

|                        |                                    |             |
|------------------------|------------------------------------|-------------|
| Type                   | <b>KUBOTA V2607-CR-T - STAGE 5</b> |             |
| Max. Power (2.200 rpm) | kW - HP                            | 45,0 - 61,2 |
| Displacement           | cc                                 | 2.615       |
| Number of cylinders    | n°                                 | 4           |
| Cooling                | Liquid                             |             |
| Consumption            | lt/h                               | 7,6         |
| Alternator             | V (A)                              | 12 (60)     |
| Battery                | V (Ah)                             | 12 (95)     |

## HYDRAULIC SYSTEM

|   |   |  |
|---|---|--|
| Circuit Type  | Load Sensing closed center system with "Flow Sharing" control valve |  |
| Pump type   | 1 LS hydraulic variable pump with electronic control + 1 gear pump  |  |
| Pump displacement   | cc  | 71 + 14                                |
| Pump capacity   | lt/min  | 141 + 27,8                             |
| Max. circuit calibration pressure   | bar   | 280                                    |
| Auxiliary systems (max pressure):<br>AUX 1 single or double effect with priority<br>AUX 2 double effect<br>AUX 3 double effect (optional) | lt/min (bar)  | 85 (200)<br>60/40 (280)<br>37/37 (280) |

## PERFORMANCES

|  |                    |               |
|--|--------------------|---------------|
| Max. digging depth with standard arm (optional arm)  | mm                 | 3.950 (4.200) |
| Max. dumping height with standard arm (optional arm) | mm                 | 5.280 (5.510) |
| Bucket breaking force (standard arm) ISO 6015        | daN                | 5.300         |
| Arm breaking force (standard arm) ISO 6015           | daN                | 3.300         |
| Traction force                                       | daN                | 6.500         |
| Ground bearing pressure with rubber tracks           | kg/cm <sup>2</sup> | 0,34          |
| Max. slope   | 60% - 30°          |               |

## DIMENSIONS

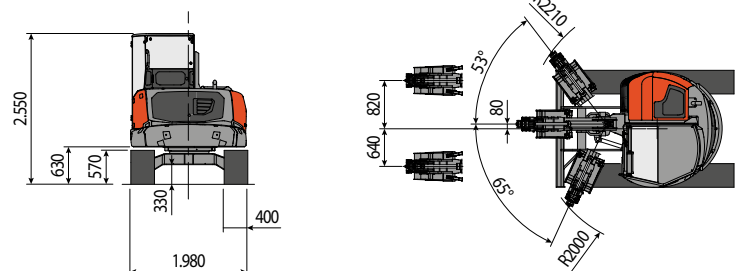
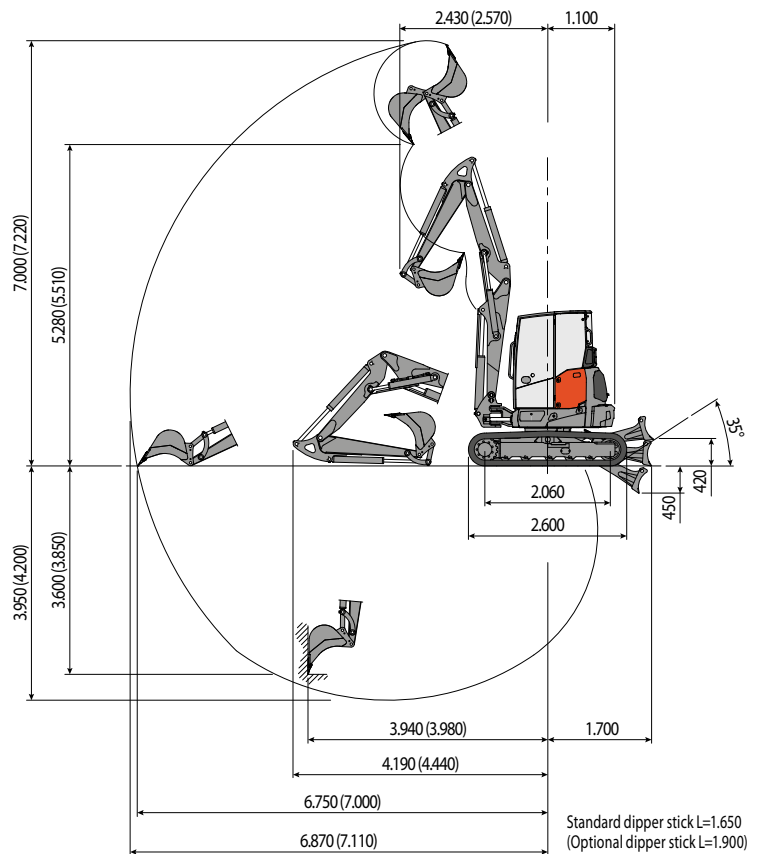
|                                   |    |               |
|-----------------------------------|----|---------------|
| Maximum width                     | mm | 1.980         |
| Total height                      | mm | 2.550         |
| Rear rotation radius              | mm | 1.100         |
| Digging arm length std (optional) | mm | 1.650 (1.900) |
| Tracks width                      | mm | 400           |
| Rollers number (for each side)    | n° | 5/1           |

## FILLINGS

|                            |    |      |
|----------------------------|----|------|
| Fuel tank                  | lt | 85   |
| Hydraulic oil tank         | lt | 60   |
| Hydraulic circuit capacity | lt | 80   |
| Cooling system capacity    | lt | 12   |
| Engine oil                 | lt | 10,2 |

## CONTROLS

|  |  |
|--|--|
| Boom, dipper stick, bucket and turret swing  | 2 pilot joysticks                            |
| Tracks movement (included counter rotation)  | 2 pilot levers                               |
| Dozer blade  | pilot lever                                  |
| High priority auxiliary system with holding function AUX 1 (single or double effect) | electroproportional switch on right joystick |
| Auxiliary system AUX 2 (double effect)   | electroproportional switch on right joystick |
| Low priority auxiliary system AUX 3 (double effect)                                  | electroproportional switch on left joystick  |
| Boom swing   | electroproportional switch on left joystick  |



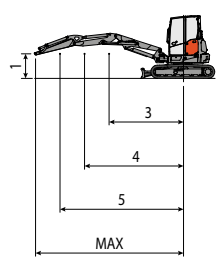
## LIFTING CAPACITY

Opening arm from the rotation's center (m)  
Lifting capacity (kg) at 1.0 m height

|                                 | 3      | 4      | 5      | MAX    |
|---------------------------------|--------|--------|--------|--------|
| Frontal and lowered dozer blade | *2.600 | *2.070 | *1.690 | *1.280 |
| Frontal and lifted dozer blade  | 2.020  | 1.240  | 860    | 640    |
| Lateral                         | 1.430  | 890    | 610    | 450    |

\* Indicates the hydraulic load limit.

The lifting capacity is based on the ISO 10567 and it does not exceed more than the 75% of static tipping load or more than the 87% of the hydraulic lifting capacity of the machine.



These pictures may include optional rather than standard features. Technical features are not binding and may be modified without notice in any moment.